



City of Vacaville
Community Development
Building Division

Residential Patio Cover

GENERAL NOTES

A patio cover is a one story structure that does not exceed 12 feet in height above adjacent grade.

Patio covers shall be used for recreational outdoor living purposes only and shall not be used as carports, garages, storage rooms or habitable rooms.

Longer side and one additional side of the patio shall be 65% open, below 6'8" above the floor. Openings may be enclosed with insect screening or readily removable plastic (translucent or transparent) panels up to 1/8" thick. Framed windows are not permitted.

One hour fire rating is required when the exterior face of post/wall is located less than 5 feet from the property line. One hour rated eave is required when closer than 36" to the property line.

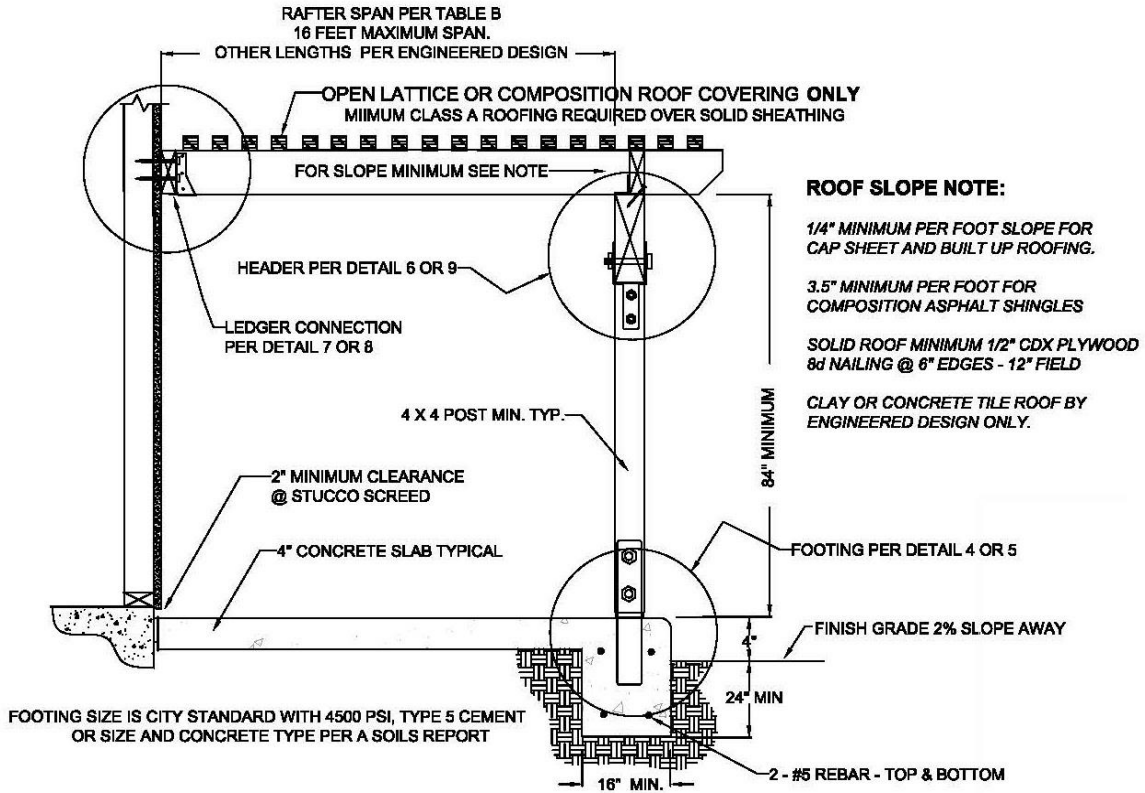
Unless a licensed engineer or architect provides structural calculations to justify it, no patio cover structure shall attach to or rely solely upon the existing rafter tails or roof projection for the purpose of supporting the new structure.

Patio covers are for outdoor living only. Use of these structures as habitable space requires a building permit and alterations to both the patio cover and the house to comply with code requirements. Conversions may require upgrades to your foundation system, roof framing, electrical, fire/life safety and many other items. Also you may need to provide a vapor barrier under the slab, reinforced slab and footings. New wall bracing, heating and electrical outlets, energy forms and insulation for the space to be converted.

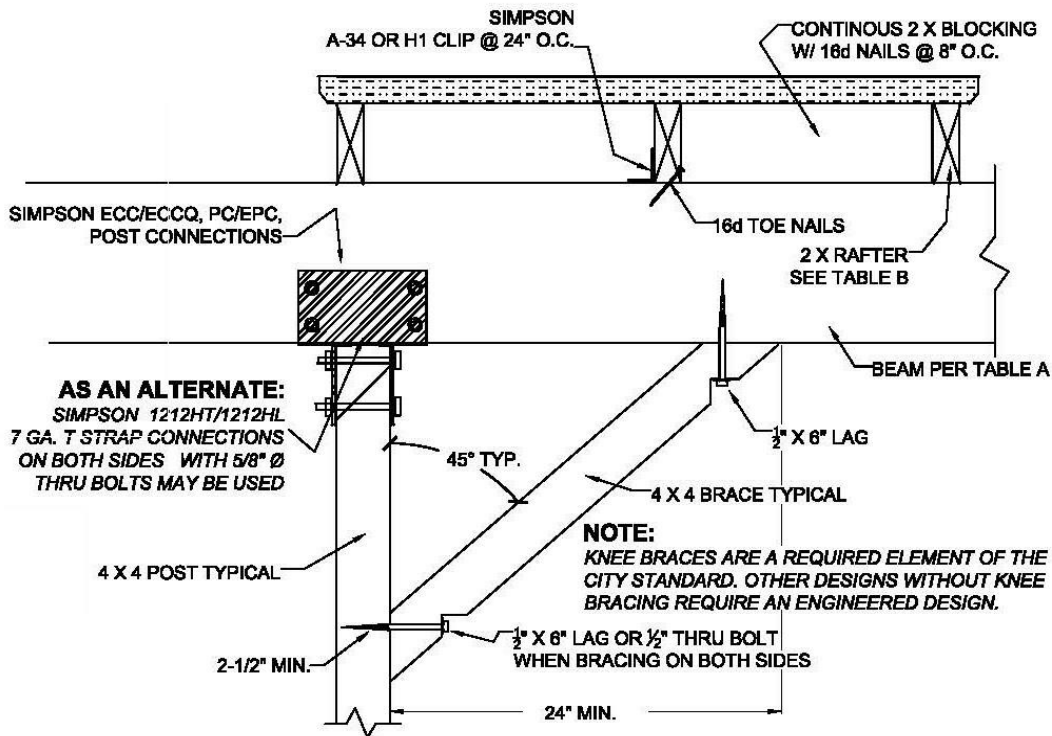
These drawings are examples of the way an open patio cover may be installed. Other methods may be used provided they are approved by this department prior to installation. All materials types and sizes are subject to the approval of this department.

All work shall conform to the:

- 2016 California Residential Code
- 2016 California Plumbing Code
- 2016 California Mechanical Code
- 2016 California Electrical Code
- 2016 California Energy Efficiency Standards
and City of Vacaville Municipal Code



SIDE ELEVATION ①



FRONT ELEVATION ③

INFORMATION FROM TABLES

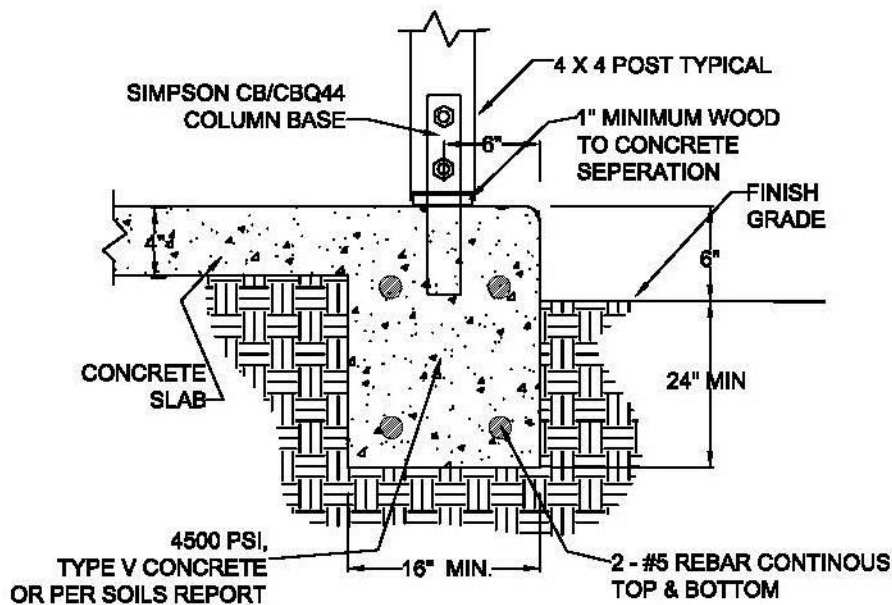
___ X ___ AT ___ O.C. RAFTER
 _____ RAFTER SPAN
 _____ POST
 ___ X ___ HEADER
 _____ HEADER SPAN
 _____ HANGERS
 _____ POST BASES
 _____ POST CAPS

MINIMUM BEAM SIZE / POST SPACING TABLE A				
POST SPACING (FEET)	RAFTER SPAN (FEET)			
	OPEN TRELLIS ROOF		SOLID ROOF	
	14 FEET	16 FEET	14 FEET	16 FEET
6	4 X 4	4 X 4	4 X 6	4 X 6
8	4 X 6	4 X 6	4 X 8	4 X 8
10	4 X 8	4 X 8	4 X 10	4 X 10
12	4 X 8	4 X 8	4 X 12	4 X 12
14	4 X 10	4 X 10	4 X 14	4 X 14
16	4 X 12	4 X 12	6 X 12	6 X 14

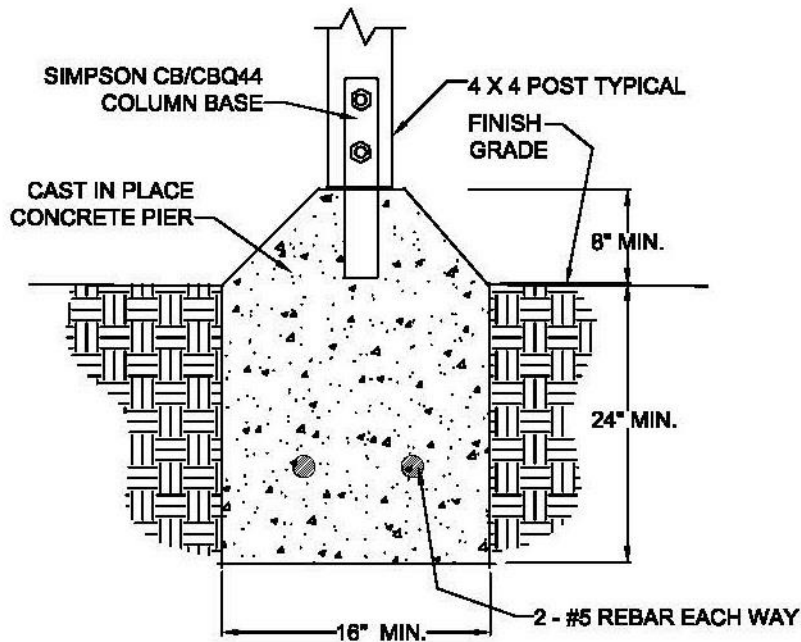
FOR OTHER SIZES AND SPANS PROVIDE AN ENGINEERED DESIGN.

MINIMUM RAFTER SIZE TABLE B							
RAFTER SPACING (FEET)	RAFTER SPACING CENTER TO CENTER (INCHES)						
	OPEN TRELLIS ROOF				SOLID ROOF		
	12" O/C	16" O/C	24" O/C	32" O/C	12" O/C	16" O/C	24" O/C
10	2 X 4	2 X 6	2 X 6	2 X 6	2 X 6	2 X 6	2 X 8
12	2 X 6	2 X 6	2 X 8	2 X 8	2 X 8	2 X 8	2 X 10
14	2 X 6	2 X 6	2 X 8	2 X 8	2 X 8	2 X 10	2 X 10
16	2 X 8	2 X 8	2 X 8	2 X 10	2 X 10	2 X 10	2 X 10

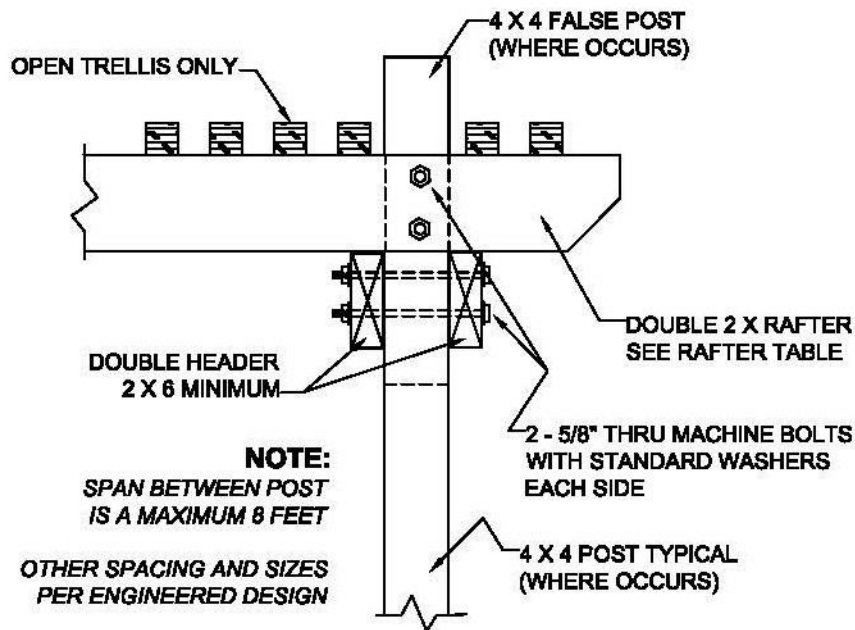
FOR OTHER SIZES AND SPANS PROVIDE AN ENGINEERED DESIGN.



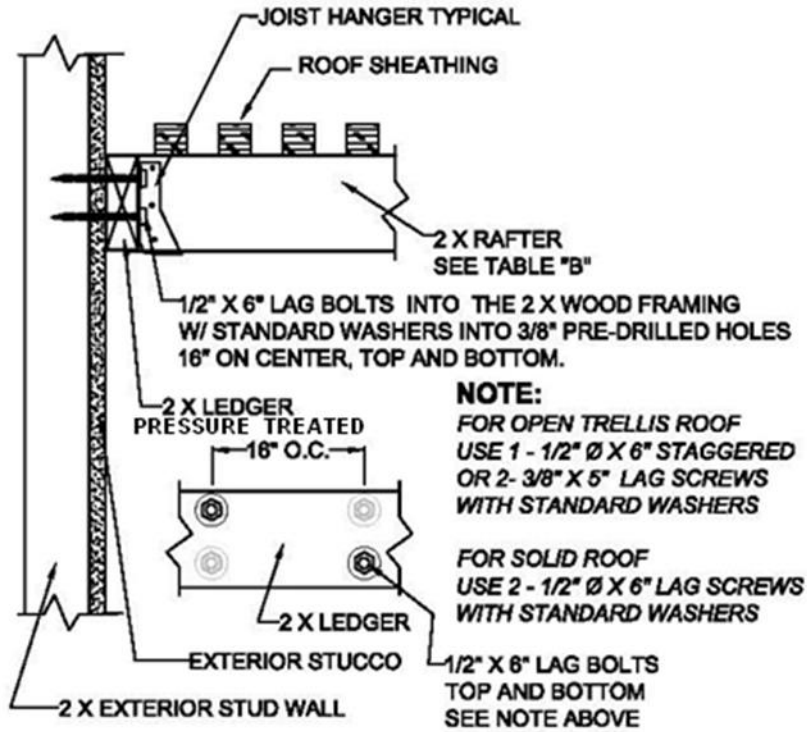
CONTINUOUS FOOTING ④



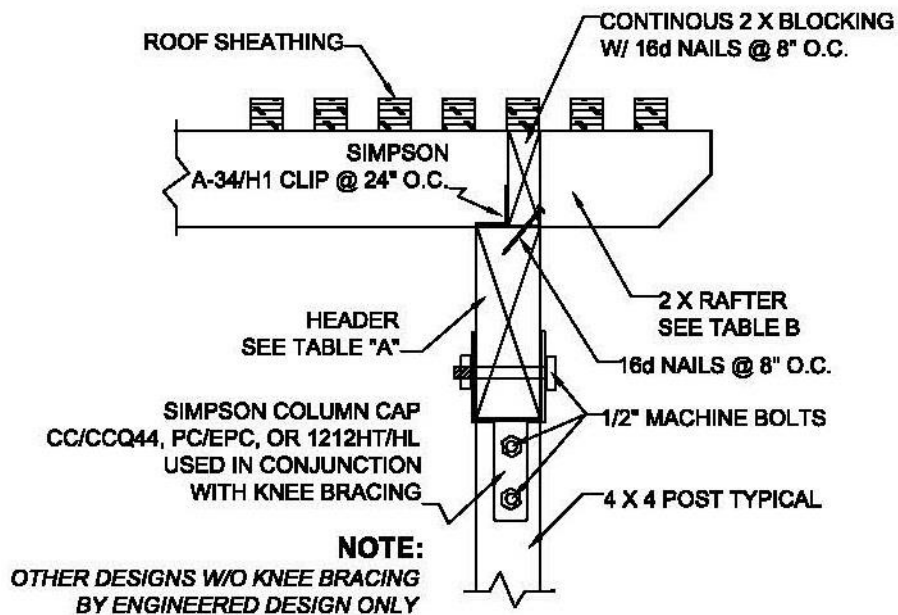
PIER FOOTING ⑤



ALTERNATE POST AND BEAM DETAIL ⑥



LEDGER ATTACHMENT ⑧



POST AND BEAM DETAIL ⑨