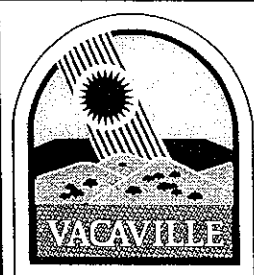


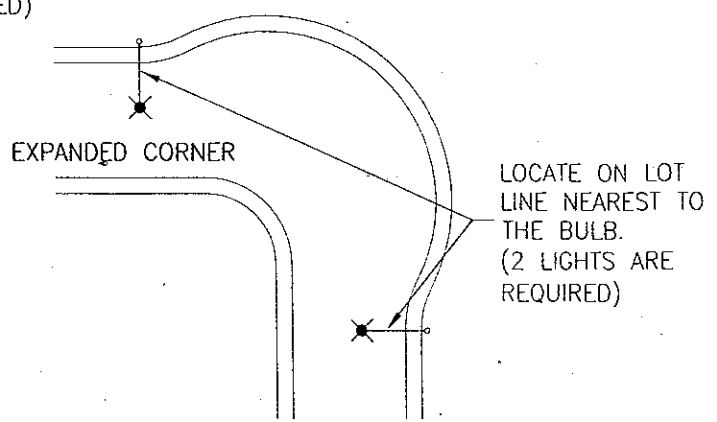
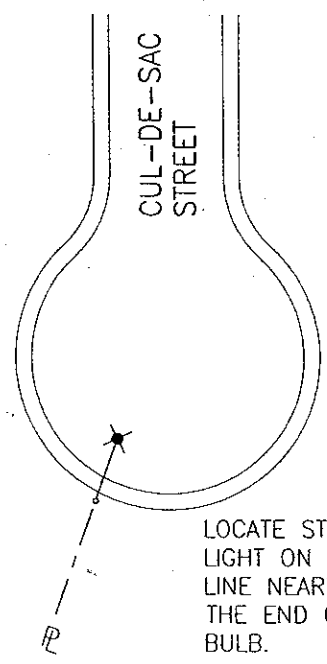
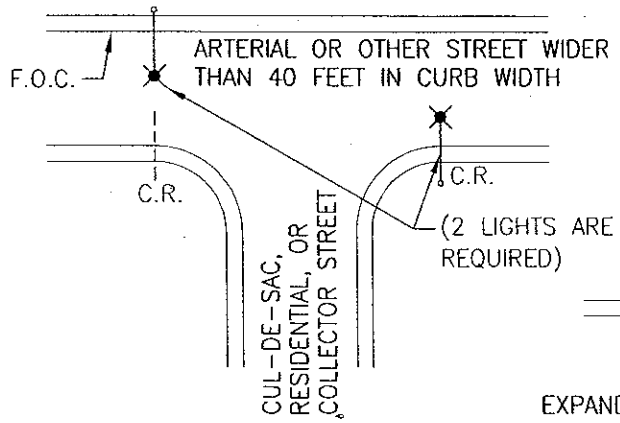
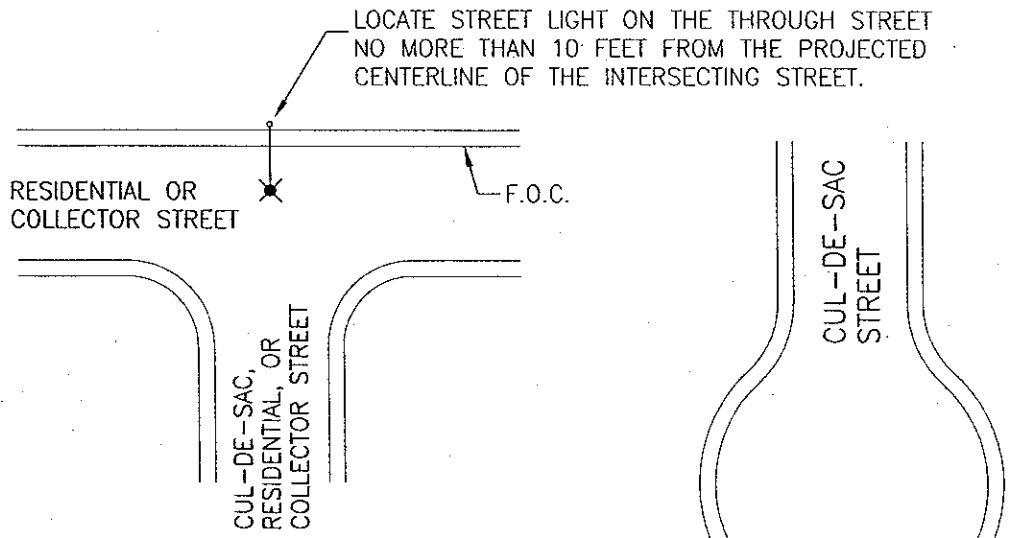
**GENERAL NOTES:**  
SEE CITY DESIGN STANDARDS TABLE DS 7-1 FOR STREET LIGHTING SPACING REQUIREMENTS BETWEEN INTERSECTIONS.



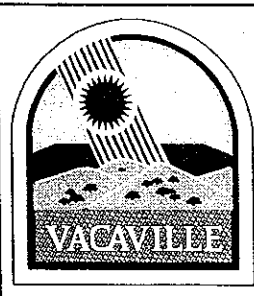
DRAWING NO.: 7-01A  
 DATE: 03-11-08  
 SCALE: NONE  
 APPROVED BY: *[Signature]*  
 R.C.E. C24974  
 DIRECTOR OF PUBLIC WORKS

**CITY OF VACAVILLE  
STANDARD DRAWING**

**STREET LIGHT LOCATIONS  
AT FOUR WAY INTERSECTION**



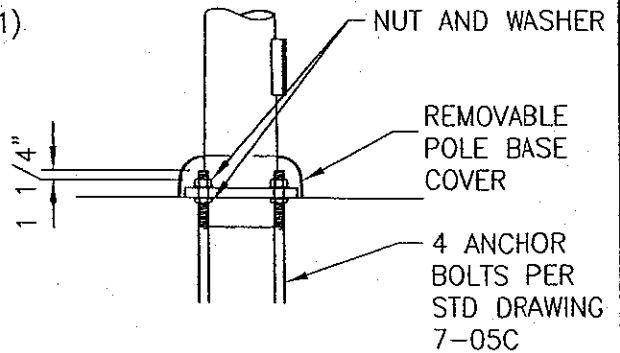
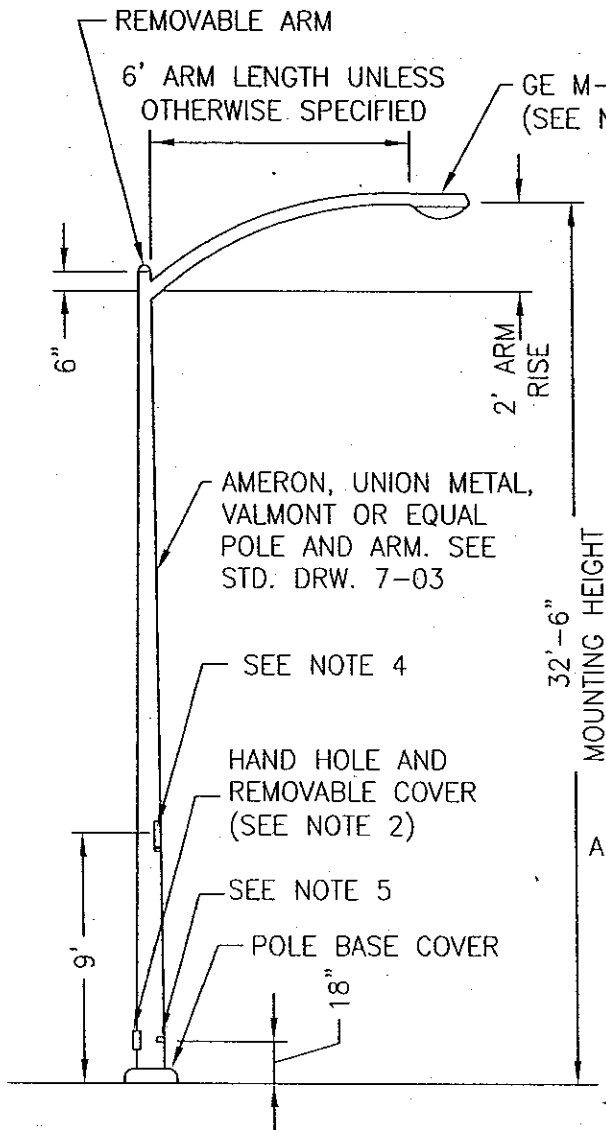
**GENERAL NOTES:**  
 SEE CITY DESIGN STANDARDS TABLE DS 7-1 FOR STREET LIGHTING SPACING REQUIREMENTS BETWEEN INTERSECTIONS AND LOCATIONS SHOWN ON THIS DRAWING.



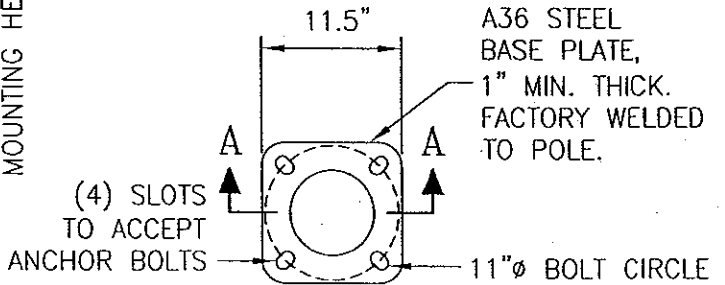
DRAWING NO: 7-01B  
 DATE: 03-11-08  
 SCALE: NONE  
 APPROVED BY: *[Signature]*  
 R.C.E. C24974  
 DIRECTOR OF PUBLIC WORKS

## CITY OF VACAVILLE STANDARD DRAWING

STREET LIGHT LOCATIONS AT EXPANDED CORNERS, TEE INTERSECTIONS, AND AT END OF CUL-DE-SAC



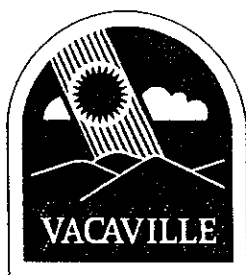
SECTION A-A



BASE PLATE DETAIL  
(COVER REMOVED)

NOTES:

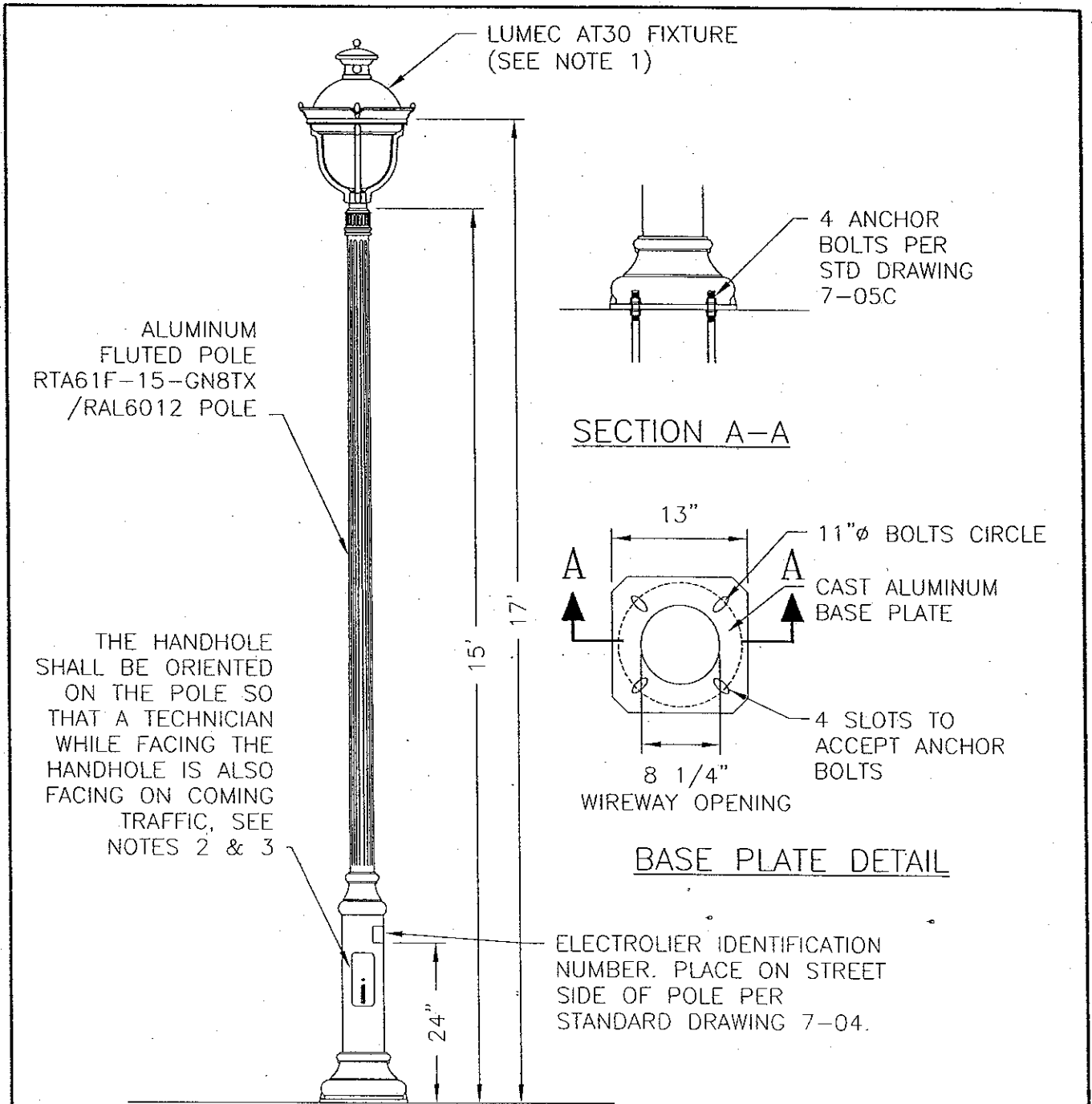
1. SEE TABLE CS15-1 IN THE CONSTRUCTION SPECIFICATIONS FOR THE APPROVED CATALOG NUMBER.
2. HAND HOLE SHALL BE ORIENTED ON THE POLE SO THAT A TECHNICIAN WHILE FACING THE HAND HOLE IS ALSO FACING ONCOMING TRAFFIC.
3. LOCATE FUSE INSIDE HAND HOLE AREA.
4. ELECTROLIER IDENTIFICATION NUMBER. PLACE ON STREET SIDE OF POLE PER STD. DRAWING 7-04
5. GROUNDING NUT SHALL BE LOCATED OPPOSITE HAND HOLE INSIDE POLE.
6. POLE, ARM, HAND HOLE AND BASE COVER, BASE PLATE, NUTS, WASHERS, AND BOLTS SHALL BE GALVANIZED STEEL.



DRAWING NO.:	7-02A
DATE:	03-11-08
SCALE:	NONE
APPROVED BY:	<i>[Signature]</i>
	R.C.E. C24974
DIRECTOR OF PUBLIC WORKS ENGINEERING SERVICES	

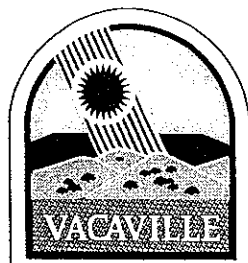
CITY OF VACAVILLE  
STANDARD DRAWING

COBRA HEAD  
MOUNTED ELECTROLIER



**NOTE:**

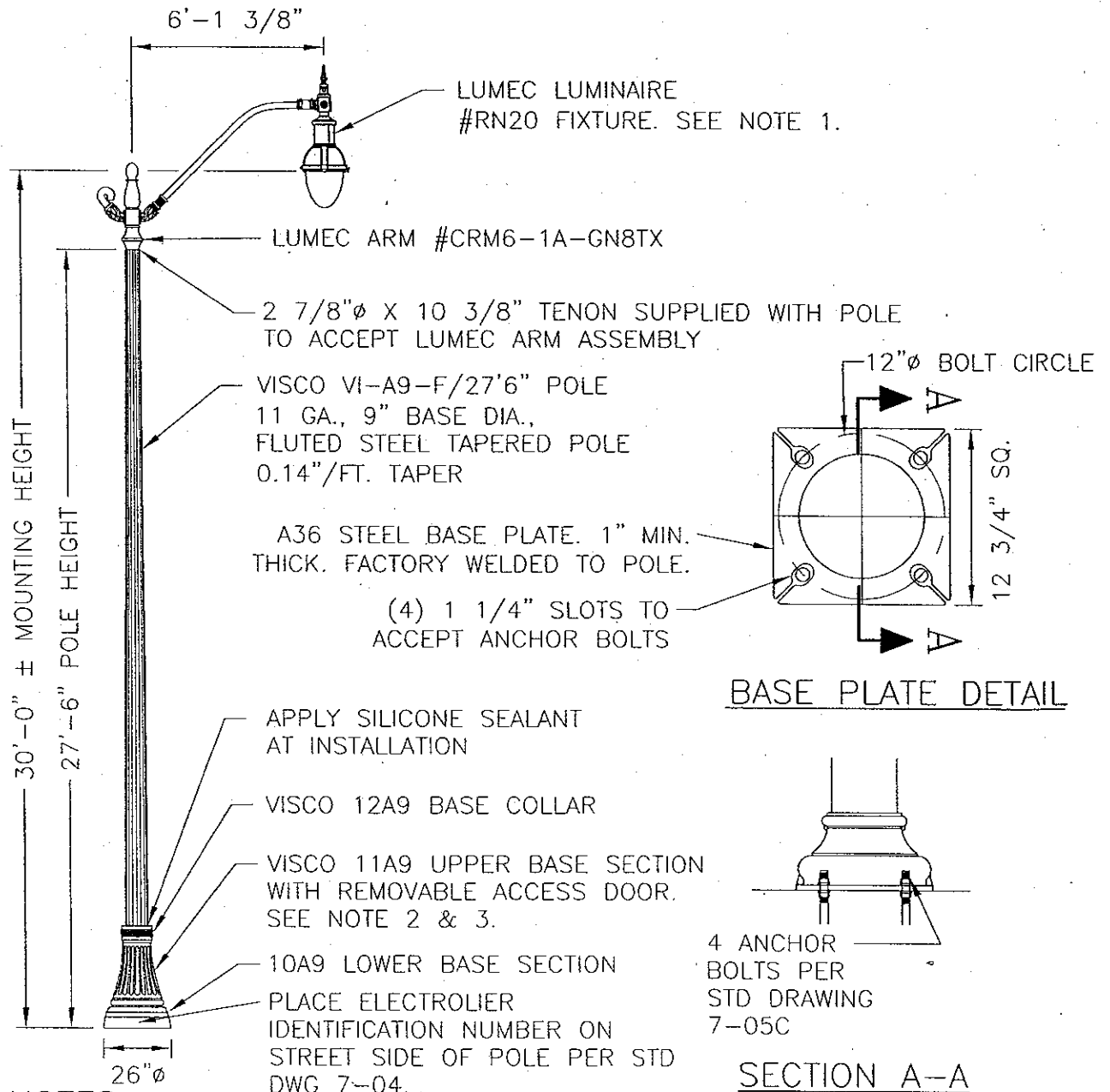
1. SEE TABLE CS15-1 IN THE CONSTRUCTION STANDARD SPECIFICATIONS FOR THE APPROVED FIXTURE CATALOG NUMBER.
2. LOCATE FUSE INSIDE HAND HOLE AREA.
3. GROUNDING NUT SHALL BE LOCATED OPPOSITE OF HAND HOLE INSIDE POLE.



DRAWING NO.: 7-02B  
 DATE: 03-11-08  
 SCALE: NONE  
 APPROVED BY: *[Signature]*  
 R.C.E. C24974  
 DIRECTOR OF PUBLIC WORKS  
 ENGINEERING SERVICES

**CITY OF VACAVILLE**  
 STANDARD DRAWING

DECORATIVE POST TOP  
 MOUNTED ELECTROLIER



**NOTES:**

1. SEE TABLE CS15-1 IN THE CONSTRUCTION SPECIFICATIONS FOR THE APPROVED CATALOG NUMBER.
2. ACCESS DOOR SHALL BE ORIENTED ON THE POLE SO THAT A TECHNICIAN WHILE PLACING THE HAND HOLE IS ALSO FACING ONCOMING TRAFFIC.
3. LOCATE FUSE INSIDE HAND HOLE AREA.
4. ALL CAST IRON AND STEEL LIGHT POLE PARTS ARE TO BE FACTORY FINISH PAINTED "TO MATCH RAL #6012".
5. GROUNDING NUT SHALL BE LOCATED OPPOSITE OF HAND HOLE INSIDE POLE.



DRAWING NO.: 7-02C

DATE: 03-11-08

SCALE: NONE

APPROVED BY: *[Signature]*

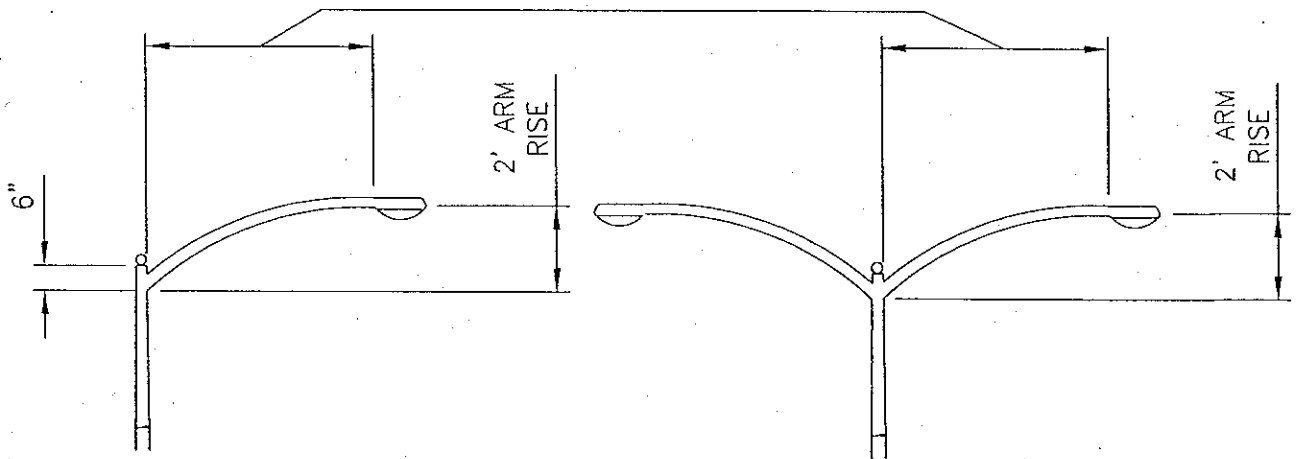
R.C.E. C24974

DIRECTOR OF PUBLIC WORKS  
ENGINEERING SERVICES

**CITY OF VACAVILLE**  
STANDARD DRAWING

DECORATIVE TEAR DROP  
MOUNTED ELECTROLIER

6' ARM LENGTH UNLESS OTHERWISE SPECIFIED



SINGLE ARM POLE

DOUBLE ARM POLE

SINGLE ARM POLE

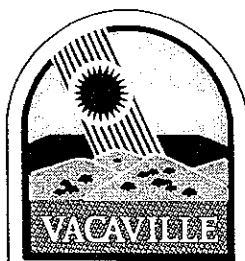
MOUNTING HEIGHT	ARM LENGTH	GAUGE	POLE LENGTH	MIN OD		AMERON POLE
				BASE	TOP	CAT. NO.
32'-6"	6'	11	31'	8"	3.7"	PL-316
32'-6"	8'	11	31'	8"	3.7"	PL-318

DOUBLE ARM POLE

MOUNTING HEIGHT	ARM LENGTH	GAUGE	POLE LENGTH	MIN OD		AMERON POLE
				BASE	TOP	CAT. NO.
32'-6"	6'	11	31'	8"	3.7"	PL-316D
32'-6"	8'	11	31'	8"	3.7"	PL-318D

NOTES:

1. ALL STEEL POLES, ARMS, BASES, BASE COVERS AND HAND HOLE COVERS SHALL BE FURNISHED GALVANIZED. GALVANIZED MATERIALS AND ANCHOR AND OTHER BOLTS, WASHERS AND NUTS SHALL BE HOT DIP GALVANIZED PER LATEST REVISIONS OF ASTM SPECIFICATION A153.
2. STEEL POLES SHALL BE FURNISHED WITH HANDHOLE AND HANDHOLE COVER.
3. POLES TO BE FURNISHED WITH POLE BASE COVERS.
4. POLE POST SHAFT MATERIAL SHALL CONSIST OF WELDABLE GRADE MATERIAL WITH A MINIMUM YIELD STRENGTH OF 48,000 PSI
5. ARM SHAFT MATERIAL SHALL CONSIST OF THE SAME MATERIAL AS POST SHAFT OR MAY CONSIST OF ASTM A500 GRADE B OR EQUIVALENT.

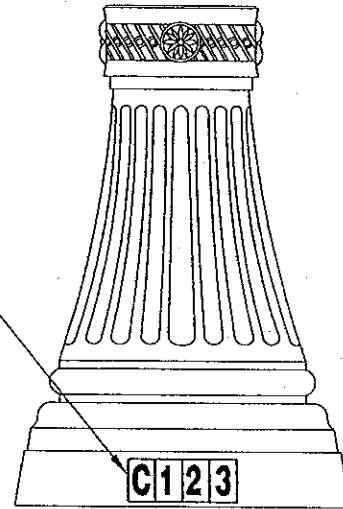


DRAWING NO.: 7-03  
 DATE: 03-11-08  
 SCALE: NONE  
 APPROVED BY: *[Signature]*  
 R.C.E. C24974  
 DIRECTOR OF PUBLIC WORKS  
 ENGINEERING SERVICES

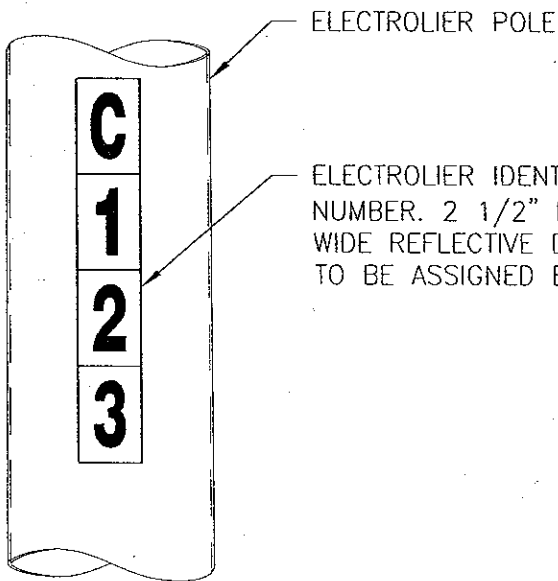
**CITY OF VACAVILLE**  
 STANDARD DRAWING

**COBRA HEAD MOUNTED  
 ELECTROLIER SINGLE AND  
 DOUBLE ARM POLE**

ELECTROLIER IDENTIFICATION  
 NUMBER. 2 1/2" HIGH BY 2 1/4"  
 WIDE REFLECTIVE DECALS. NUMBER  
 TO BE ASSIGNED BY P.G.&E.



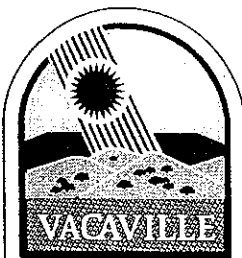
DECORATIVE TEARDROP  
 (STD DWG 7-02C)  
 MOUNTED ELECTROLIER



COBRA HEAD  
 (STD DWG 7-02A) AND  
 DECORATIVE POST TOP (STD DWG  
 7-02B) MOUNTED ELECTROLIER

NOTES:

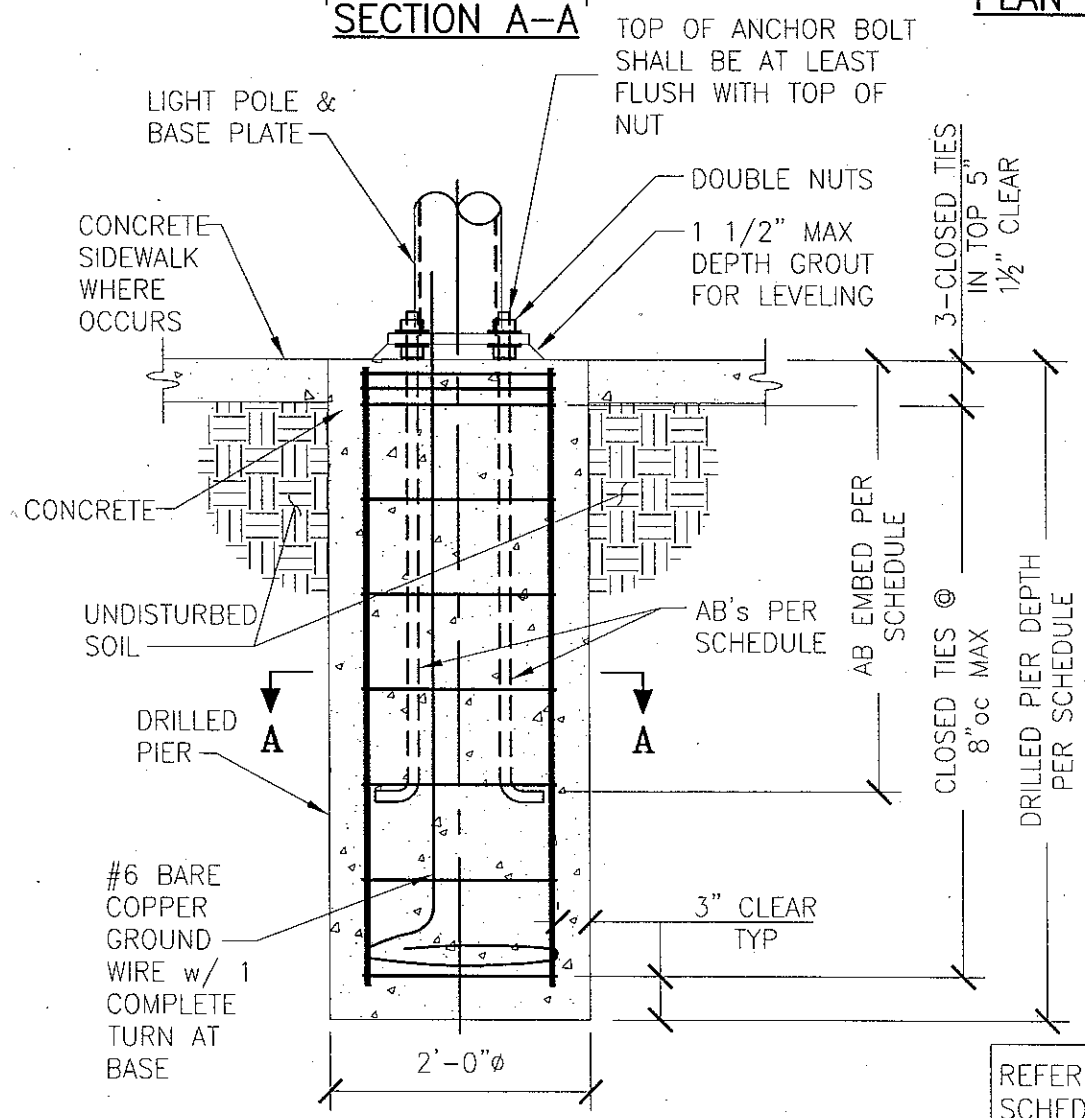
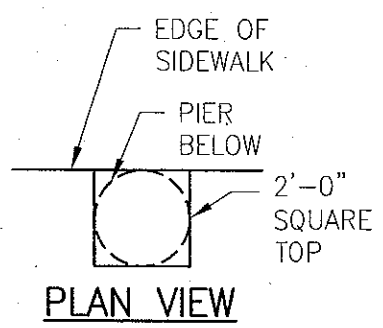
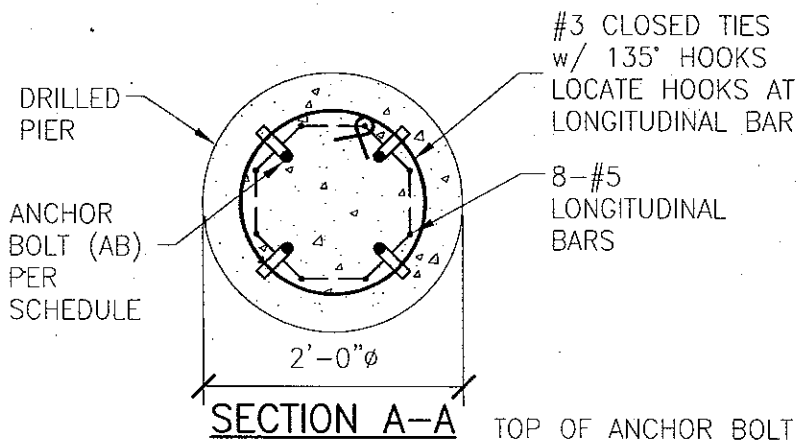
1. SEE APPLICABLE STANDARD DRAWING 7-02 FOR INSTALLATION REQUIREMENTS OF ELECTROLIER IDENTIFICATION NUMBER.
2. SIGNS AND SIGN BRACKETS SHALL NOT OBSTRUCT VIEW OF ELECTROLIER IDENTIFICATION NUMBER.



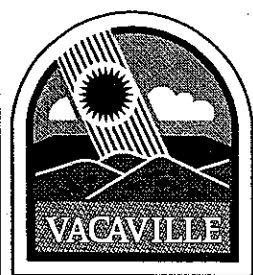
DRAWING NO.: 7-04  
 DATE: 03-11-08  
 SCALE: NONE  
 APPROVED BY: *[Signature]*  
 R.C.E. C24974  
 DIRECTOR OF PUBLIC WORKS  
 ENGINEERING SERVICES

**CITY OF VACAVILLE**  
 STANDARD DRAWING

ELECTROLIER  
 IDENTIFICATION NUMBER



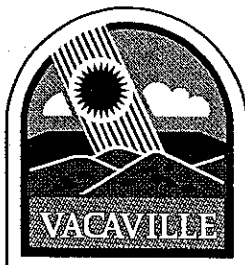
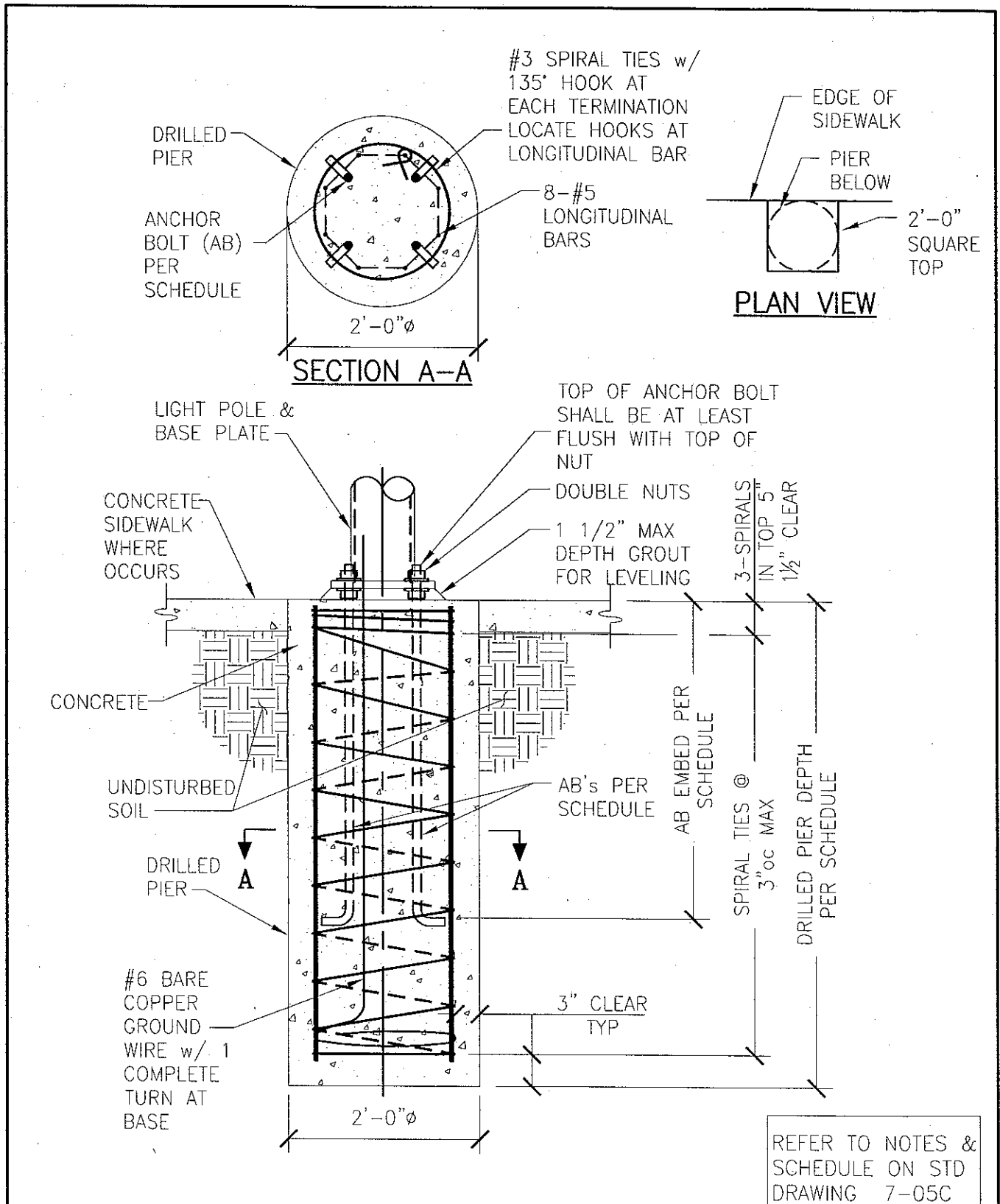
REFER TO NOTES & SCHEDULE ON STD DRAWING 7-05C



DRAWING NO.: 7-05A  
 DATE: 03-11-08  
 SCALE: NONE  
 APPROVED BY: *[Signature]*  
 R.C.E. C24974  
 DIRECTOR OF PUBLIC WORKS  
 ENGINEERING SERVICES

**CITY OF VACAVILLE**  
 STANDARD DRAWING

**DRILLED PIER FOUNDATION**  
**CLOSED TIE OPTION**



DRAWING NO.: 7-05B

DATE: 03-11-08

SCALE: NONE

APPROVED BY: *[Signature]*

R.C.E. C24974

DIRECTOR OF PUBLIC WORKS  
ENGINEERING SERVICES

**CITY OF VACAVILLE**  
STANDARD DRAWING

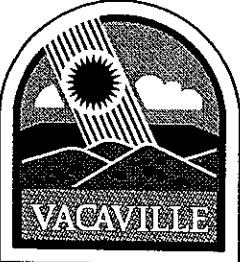
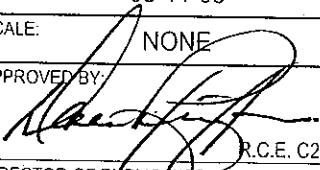
**DRILLED PIER FOUNDATION  
SPIRAL TIE OPTION**

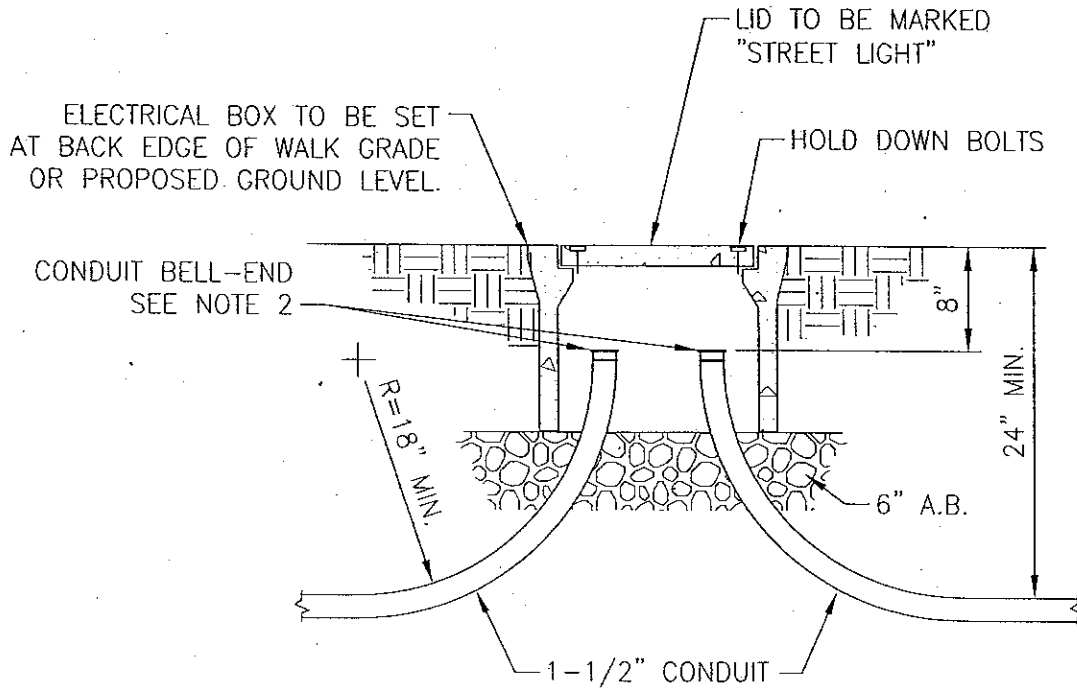
## DRILLED PIER AND ANCHOR BOLT SCHEDULE:

MOUNTED ELECTROLIER		DRILLED PIER SIZE	ANCHOR BOLTS
DECORATIVE POST TOP	H=15' (+/-)	2'-0"φ X 3'-6" DEEP	¾"φ X 20" MIN EMBED
DECORATIVE TEAR DROP	H=30' (+/-)	2'-0"φ X 5'-6" DEEP	1"φ X 32" MIN EMBED
COBRA HEAD SINGLE MAST ARM	H=30' (+/-)	2'-0"φ X 5'-6" DEEP	1"φ X 32" MIN EMBED

### NOTES:

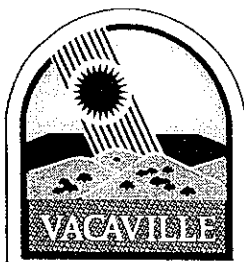
- REFER TO STD DRAWINGS 7-05A, 7-05B & 7-05C FOR SPECIFIC LIGHT POLE, BASE PLATE & ANCHOR BOLT LAYOUT.
- ANCHOR BOLTS ARE TO BE PER ASTM A307 & HOT DIP GALVANIZED PER ASTM A153 w/ 4" MIN HOOK AT EMBEDDED END AND w/ DOUBLE NUTS & WASHERS AT BASE PLATE.
- REINFORCING IS TO BE PER ASTM A615 GRADE 60. REINFORCING IS TO BE SECURLY TIED INTO A CAGE AND PLACED INTO A NEAT EXCAVATION WITH 3" CLEAR MAINTAINED TO ALL SOIL.
- CONCRETE IS TO BE 3,500 PSI 28-DAY STRENGTH, SIX SACK PORTLAND CEMENT MIX, AND IS TO BE POURED AGAINST UNDISTURBED SOIL OR ENGINEERED FILL.
- VOID UNDER BASE PLATE IS TO BE FILLED WITH HIGH-STRENGTH NON-SHRINK POURABLE GROUT ONCE LIGHT POLE IS PLUMB.
- ALL EXCAVATIONS BELOW DESIGN GRADE SHALL BE CLEANED TO AN UNDISTURBED SOIL SURFACE PER GEOTECHNICAL ENGINEER. RE-ESTABLISHMENT TO GRADE IF NECESSARY SHALL BE WITH COMPLETE ENGINEERED FILL.
- DRILLED PIER DESIGN IS BASED ON AN ASSUMED ALLOWABLE PASSIVE PRESSURE OF 300 PSF/FT. THE FOUNDATION DESIGN SHALL REQUIRE A SITE SPECIFIC ENGINEERED DESIGN IF THE FOUNDATION IS LOCATED WITHIN UNSUITABLE SOIL SUCH AS BUT NOT LIMITED TO ORGANIC MATTER.
- DRILLED PIER DESIGN IS BASED ON A WIND LOAD CORRESPONDING TO A WIND SPEED OF 85 MPH AND EXPOSURE CATEGORY B PER ASCE 7-05. ALL OTHER CONDITIONS REQUIRE FURTHER ANALYSIS.
- SECURE GROUND WIRE TO POLE AT GROUNDING NUT INSTALLED INSIDE POLE.
- EXTEND STREET LIGHT ELECTRICAL CONDUIT INTO BASE OF POLE WITH 1 1/2" DIA. MIN. SCHED. 40 PVC 18" RADIUS SWEEP WITH BELL ENDS.

	DRAWING NO.: 7-05C	<h2>CITY OF VACAVILLE</h2> <h3>STANDARD DRAWING</h3> <h3>DRILLED PIER FOUNDATION</h3> <h3>NOTES &amp; SCHEDULE</h3>
	DATE: 03-11-08	
	SCALE: NONE	
	APPROVED BY:  R.C.E. C24974	
DIRECTOR OF PUBLIC WORKS ENGINEERING SERVICES		



NOTES:

1. PULL BOX SHALL BE LOCATED WITHIN THREE (3) FEET FROM THE BASE OF EACH STREET LIGHT POLE AND SHALL ALSO BE INSTALLED AT ALL OTHER LOCATIONS OF WIRE SPLICES.
2. BELL-ENDS SHALL BE INSTALLED AT EACH POINT OF TERMINATION OF THE CONDUIT INCLUDING AT PULL BOXES AND ELECTROLIER HAND HOLE LOCATIONS.



DRAWING NO.: 7-06

DATE: 03-11-08

SCALE: NONE

APPROVED BY: *[Signature]*

R.C.E. C24974

DIRECTOR OF PUBLIC WORKS  
ENGINEERING SERVICES

**CITY OF VACAVILLE**  
STANDARD DRAWING

STREET LIGHTING  
PULL BOX # 3 1/2